



LS-7N Series NSF Approved Compact, Side-Mounted Level Switches

Important Points:

- Gems products must be maintained and installed in strict accordance with the National Electrical Code and the applicable Gems product instruction Bulletin that covers installation, operation and proper maintenance. Failure to observe this information may result in serious injury or damages.
- Please adhere to the pressure and temperature limitations shown throughout this catalog for our level and flow sensors. These limitations must not be exceeded. These pressures and temperatures take into consideration possible system surge pressures/temperatures and their frequencies.
- Selection of materials for compatibility with the media is critical to the life and operation of Gems products. Take care in the proper selection of materials of construction, testing is required.
- NSF-approved sensors are made of materials approved for potable water applications according to Standard 61.
- Stainless steel is generally regarded as safe by NSF and FDA.
- Life expectancy of switch contacts varies with application. Contact Gems if life cycle testing is required.
- Ambient temperature changes do affect switch set points, since the gravity of a liquid can vary with temperature.
- Our sensors have been designed to resist shock and vibration. However, shock and vibration should be minimized.
- Filter liquid media containing particulate and/or debris to ensure the proper operation of our products.
- Electrical entries and mounting points in an enclosed tank may require liquid/vapor sealing.
- Our sensors must not be field-repaired.
- Physical damage sustained by product may render it unserviceable.

Specifications

Part Number	Mounting Type	Materials		Min. Liquid Sp. Gr.	Operating Temperature	Oper. Pres. Max. @ 70° F	Switch* SPST	Lead Wire Gauge
		Housing and Float	Lead Wire Jacket					
209435	3P	Polypropylene	TPE	.55	-40°F to +225°F (-40°C to +107.2°C)	100 psig	20 VA	#22 AWG
*209425	5							
*209430	7							
209440	10							

The hydrolytically stable, glass-reinforced polypropylene is UL-recognized to UL 746B, at a relative temperature index of 65 degrees C

* See special "Thread Treatment/Dimensions"

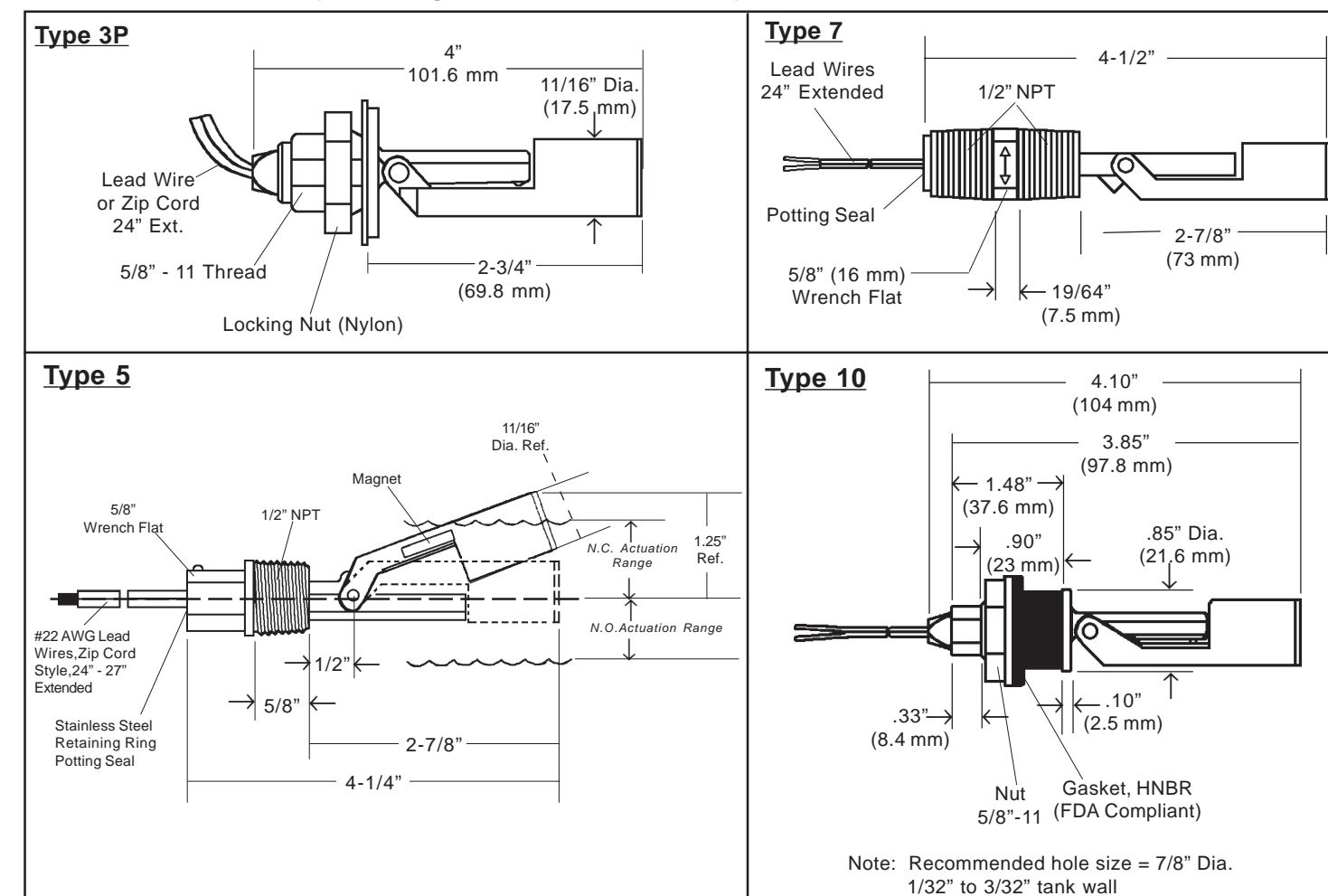
Return Policy

Returns are accepted on stock items up to 30 days from date of order. You must contact our Returns Department for a Return Authorization (RA) number. Return the goods - freight prepaid - in the original container and include original packing slip. C. O. D. returns are not accepted. Gems reserves the right to apply restocking charges.

Tel: 860-793-4357
Fax: 860-793-4563

NSF Directive - For Use With Water Only.

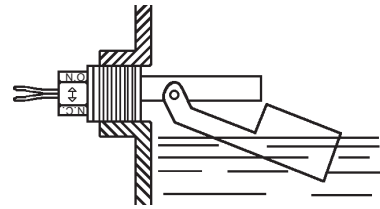
Dimensional Data . . . (Mounting Attitude is Horizontal)



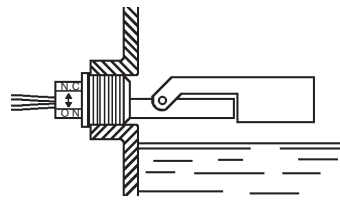
Gems Sensors Inc.
One Cowles Road
Plainville, CT 06062-1198
Toll-Free: 1-800-378-1600

Installation

All LS-7 Units: Install with float positioned as shown for the required switch operation. Be sure that markings on wrench flats are as follows: (1) Arrow Vertical, (2) N.O. at top for N.O. operations, (3) N.C. at top for N.C. operations



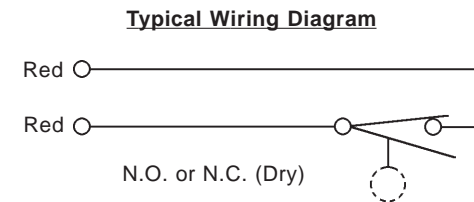
Units Shown Installed "Float Down" for N.O. (Dry) Operation



Units Shown Installed "Float Up" for N.C. (Dry) Operation

Electrical Connection

See **Typical Wiring Diagram**. Connect lead wires to load circuit, using approved method. **Caution: See "Specifications" (front page) and "Switch Ratings" (below) before connecting power.**

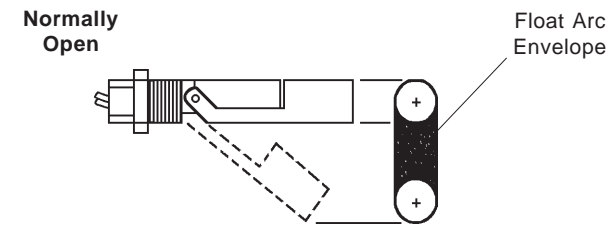


Switch Ratings
- Maximum Resistive Load -

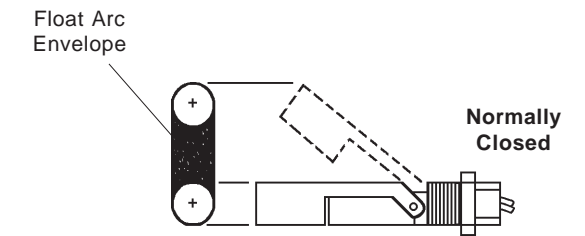
VA	Volts	Amps AC	Amps DC
20	0-30	.4	.3
	120	.17	.13
Pilot Duty	240	.080	.06

Switch Operation

Depending on the mounting position, the float on these switches can either rise or lower with the liquid level. By rotating the switch 180°, the switch operation can be Normally Open or Normally Closed. Arrows on exterior of mounting indicate N.O. when point up.



The switch is mounted so that the **float lowers** with the liquid level. **The switch is N.O.**



The switch is mounted so that the **float rises** with the liquid level. **The switch is N.C.**

Maintenance

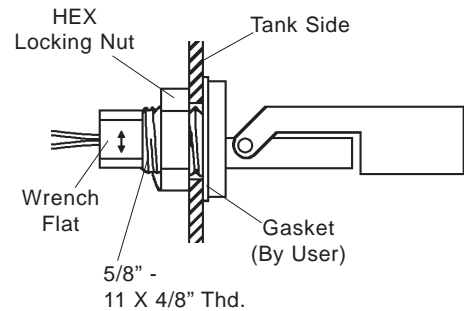
Normally, no maintenance of any kind is required. When excessive contamination is present in the liquid, an occasional wipe-down cleaning is all that is needed.



This product is suitable for Class I and Class II applications only, per the requirements of standard EN60730 and any additional specific requirements for a particular application or medium being sensed. Class I compliance of metal bodied units requires a ground connection between the metal body and the earthing system of the installation. Class I compliance of plastic bodied units in contact with a conductive medium requires that the medium be effectively earthed so as to provide an earthed barrier between the unit and accessible areas. For Class III compliance, a supply at safety extra-low voltage (SELV) must be provided. Please consult the Factory for compliance information on specific part numbers.

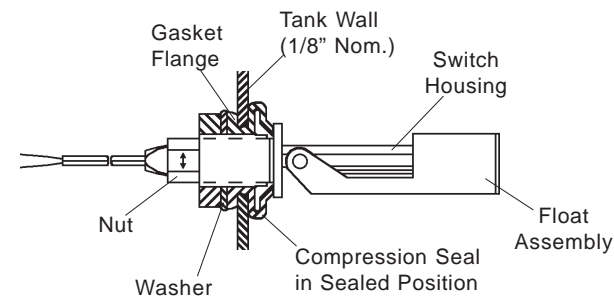
Types 3P Units

Assemble gasket (by user) on 5/8" - 11 threaded mounting and install unit through clear hole in tank side, from inside of tank. Lock in place with HEX nut (supplied). **Tighten to 15 in./lb., Max. Do not overtighten.**



Type 10 Units

Install unit in 7/8" diameter hole in tank. Gasket flange must rest firmly against tank wall. Turn nut to compress seal. Tighten one-quarter turn past hand-tight. Use wrench flat to hold housing, if required.



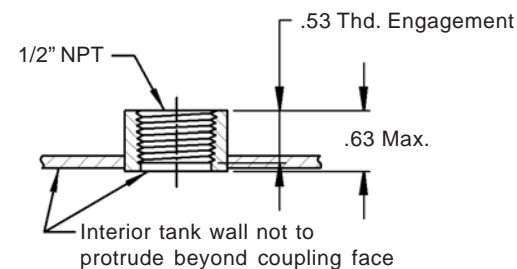
LS-7 with Compression Seal (Type 10)

Thread Treatment

1. **Sealing:** When threading metal threads into a metal coupling a pipe sealant is recommended. Due to potential compatibility problems, when sealing plastic threaded units, an NSF approved sealant such as **No More Leaks™** from Permatex® is recommended.

No More Leaks is a trademark of Permatex® Industrial Corp., a subsidiary of Loctite Corporation.

2. **Tightening:** When threading a plastic level switch into a metal coupling, the installer should use a suitable wrench and tighten the threads one to one and one-half additional turns past hand-tight. Over-torquing of the threads will result in damage to the plastic mounting plug.



Maximum Thread Mounting Dimension

